

## LABAID UNIVERSAL VIRAL COLLECTION TUBE

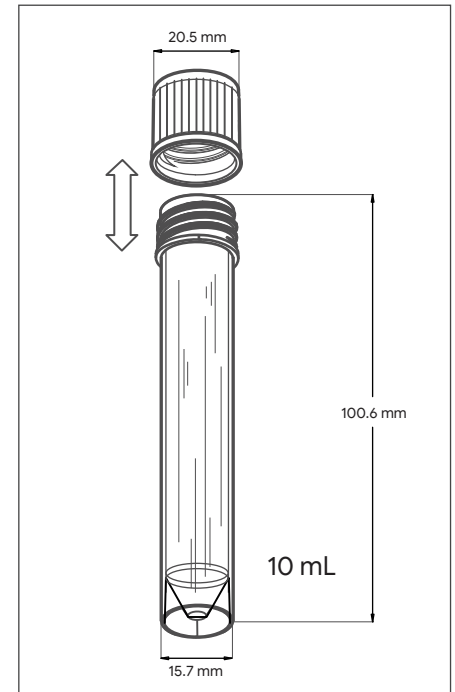
### PRODUCT DESCRIPTION

**Labaid Universal Viral Collection Tubes** are designed to store universal transport media for microbiology laboratories. The 10 mL non-sterile tubes (16 x 10 cm) are constructed of high clarity polypropylene and contain a secure screw cap.

Additional Features:

- Self-standing with a conical bottom and skirt
- Temperature tolerance up to -30°C
- Free of DNase, RNase and Pyrogen

<b>BT-3001</b>	1000 10 mL tubes (100/box)
----------------	----------------------------



### COMPETITIVE ADVANTAGES



**SAFE TRANSPORT**  
Secure screw cap to prevent leakage



**PRESERVE SAMPLES**  
Temperature tolerant and enzyme-free



**VERSATILE**  
Multi-purpose usage with design variations



**LEADING QUALITY**  
High density materials and stringent QC standards

### COMPANY INTRODUCTION

Biomed Resource, Inc., was founded in 2001 to supply quality products for biotechnology and healthcare industries. As a manufacturer and wholesaler, we offer an extensive array of products, including: medical and laboratory plastic wares, clean room supplies, and hospital disposables. With factory operations overseas and warehouse headquarters in California, we have strategic locations to minimize delivery time and provide an unparalleled level of convenience for our customers. All our products are FDA registered and well-proven in the market.